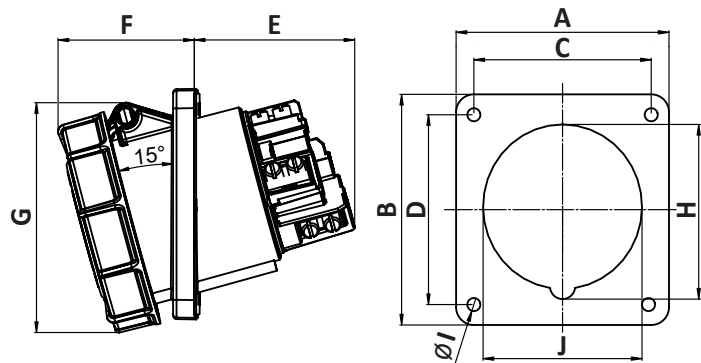


POWtec CEE Panel Mounted Socket Outlets IP67



- Angled 15°
- Waterproof, IP67
- Screw terminals
- Brass with lamellar contact CuBe with pilot contact
- With 114 x 114mm Flange



Dimensions (mm)			
Poles	3	4	5
Current	125A		
Flange A	114	114	114
Flange B	114	114	114
Hole Spacing C	90	90	90
Hole Spacing D	90	90	90
E	92	92	92
F	77	77	77
G	130	130	130
H	102	102	102
I	7	7	7
J	90	90	90
Weight (g)	792	880	987

Voltage		230 V~	400 V~
Frequency		50/60 Hz	50/60 Hz
Designation		3p = 6h 4p/5p = 9h	3p = 9h 4p/5p = 6h
Current	Poles	Part No.	Part No.
125A	3	POWtecS-3125B-P8867	-
125A	4	POWtecS-4125B-P8867	POWtecS-4125R-P8867
125A	5	POWtecS-5125B-P8867	POWtecS-5125R-P8867